

The AJR-PLEAT CTL series of molded end top loading pleated dust filter elements are engineered to fit industry standard 8.125" diameter tubesheet holes. The CTL series fits tubesheets up to 3/16" thick. After installing the filter by pushing it into the tubesheet hole from above, insert the precision-engineered stainless steel snap ring, included with each filter, to provide a dust-tight seal.

### Standard Construction Features:

- 100% spun bond polyester filter media
- Molded FDA compliant urethane top and bottom
- 225° F (107° C) continuous operating temperature
- Open pleat spacing; shallow pleats
- Expanded metal galvanized core
- Strong and secure woven polyester outer bands

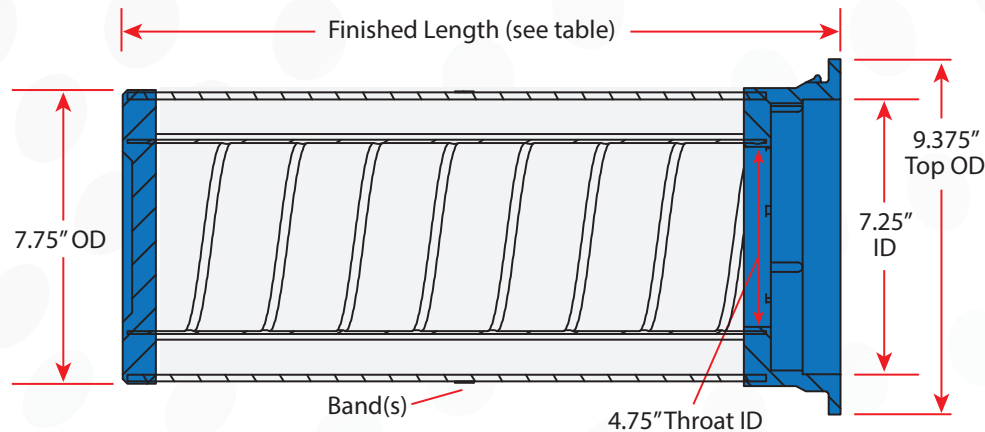


### Media Options

- **SB** – Spun Bond Polyester
- **SBHO** – Hydro & oleo-phobic finish to repel water and oil
- **SBAL** – Aluminized finish for static dissipation
- **SBPTFE** – High-quality PTFE membrane bonded to surface
- **SBCBPTFE** – Carbon impregnated spun bond with PTFE membrane

### Custom Construction Options

- Choice of finished length and pleat count
- Choice of cores: polypropylene or stainless steel, rolled or perforated
- Higher temperature construction to 265° F available
- Grounded design
- Riveted bands



Finished Length	Number of Bands	Media area 60 pleats	Media area 75 pleats	Media area 100 pleats
19 Inches	1	17.6 sq. ft.	22.0 sq. ft.	29.3 sq. ft.
39 Inches	3	38.4 sq. ft.	48.0 sq. ft.	64.0 sq. ft.
54 Inches	4	54.0 sq. ft.	67.5 sq. ft.	90.1 sq. ft.
78 Inches	6	79.0 sq. ft.	98.8 sq. ft.	131.7 sq. ft.

Dimensions and filter areas are shown for common configurations. Numerous finished length and pleat count variations are available. Contact AJR for more information.

### Benefits of AJR-PLEAT pleated bags compared to traditional fabric bags

- One piece filter (plus snap ring) cuts filter changing time in half – no separate bag cage to deal with
- Filters are washable and reusable in most cases
- Wide shallow pleats handle high dust loads
- Surface loading media releases desired powdered product in process applications
- Rugged and durable construction increases filter life for reduced maintenance requirements
- Collection efficiencies 10 X or higher vs. a traditional polyester bag
- Surface loading media operates at a lower pressure drop – saves energy
- Lower pulse pressures required for cleaning
- Materials of construction are tolerant of a wide range of process chemicals

**AJR-PLEAT CTL Series fits 8" diameter top bag removal dust collectors including C&W DustTech, McNeilus, Astec, and Con-E-Co equipment common in the concrete industry.**



Each AJR-PLEAT CTL pleated bag filter includes a separate snap ring. Install this ring after the filter is in place to ensure a dust-tight seal