

The AJR-PLEAT DSS series of top loading pleated dust filter elements are provided with flanged top caps with seamless polyester-covered cuffs, and molded urethane bottom caps. All DSS filters include a separate polyester felt covered snap band. To install, first the snap band is inserted into the tubesheet hole (for tubesheets up to 3/16" thick) providing a secure seal. Next, the filter is lowered for a press fit. The standard DSS design fits 6.25" tubesheet holes and is capable of adjustments to fit 6.20" or 6.375" diameter tubesheet holes.

Standard Construction Features:

- 100% spun bond polyester filter media
- Flanged galvanized cap with seamless polyester wrapped cuff
- Included separate polyester felt snap band for tubesheet seal
- Molded FDA compliant urethane bottom
- 225° F (107° C) continuous operating temperature
- Open pleat spacing; shallow pleats
- Expanded metal galvanized core
- Strong and secure woven polyester outer bands

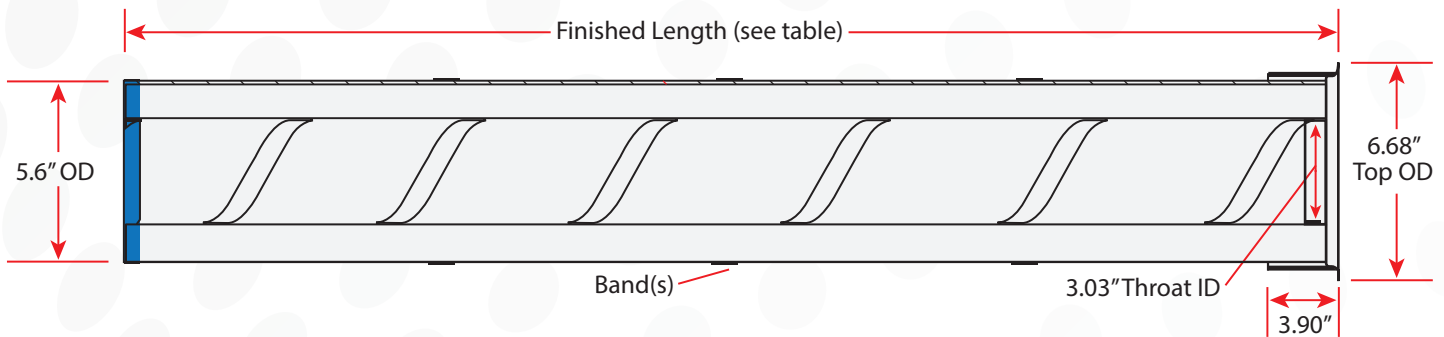


Media Options

- **SB** – Spun Bond Polyester
- **SBHO** – Hydro & oleo-phobic finish to repel water and oil
- **SBAL** – Aluminized finish for static dissipation
- **SBPTFE** – High-quality PTFE membrane bonded to surface
- **SBCBPTFE** – Carbon impregnated spun bond with PTFE membrane

Custom Construction Options

- Choice of finished length and pleat count
- Choice of cores: polypropylene or stainless steel, rolled or perforated
- Higher temperature construction to 265° F available
- Grounded design
- Riveted bands



Finished Length	Number of Bands	Media area 30 pleats	Media area 45 pleats	Media area 60 pleats
18 Inches	1	8.5 sq. ft.	12.8 sq. ft.	17.1 sq. ft.
36 Inches	2	17.4 sq. ft.	26.1 sq. ft.	34.8 sq. ft.
54 Inches	4	26.2 sq. ft.	39.4 sq. ft.	52.5 sq. ft.
79 Inches	6	38.5 sq. ft.	57.8 sq. ft.	77.1 sq. ft.

Dimensions and filter areas are shown for common configurations. Numerous finished length and pleat count variations are available. Contact AJR for more information.

Benefits of AJR-PLEAT pleated bags compared to traditional fabric bags

- One piece filter (plus snap band) cuts filter changing time in half – no separate bag cage to deal with
- Filters are washable and reusable in most cases
- Wide shallow pleats handle high dust loads
- Surface loading media releases desired powdered product in process applications
- Rugged and durable construction increases filter life for reduced maintenance requirements
- Collection efficiencies 10 X or higher vs. a traditional polyester bag
- Surface loading media operates at a lower pressure drop – saves energy
- Lower pulse pressures required for cleaning
- Materials of construction are tolerant of a wide range of process chemicals

AJR-PLEAT DSS Series fits top bag removal dust collectors from these manufacturers:

- Flex-Kleen (CECO)
- Mac (Schenck)
- Camcorp
- Sly LLC
- Ultra Industries
- Cyclonaire
- Kirk & Blum
- Horizon
- Smoot
- Steelcraft
- Airtrol
- Wheelabrator
- IAC
- and More



Each AJR-PLEAT DSS pleated bag filter includes a separate snap band. Install the snap band in the tubesheet hole first, then lower the filter