

The AJR-PLEAT LBB series of molded end pleated dust filter elements are engineered to fit most common industry 5.75" diameter bottom bag removal dust collector styles with integral bag cups/hubs and large venturis. The long molded boot allows the existing venturi to sit above the top of the filter to maximize the effective filtration area of the filter. After installation a worm gear clamp is applied to the top outer groove to complete the seal.

Standard Construction Features:

- 100% spun bond polyester filter media
- Molded FDA compliant urethane top and bottom
- 225° F (107° C) continuous operating temperature
- Open pleat spacing; shallow pleats
- Expanded metal galvanized core
- Strong and secure woven polyester outer bands

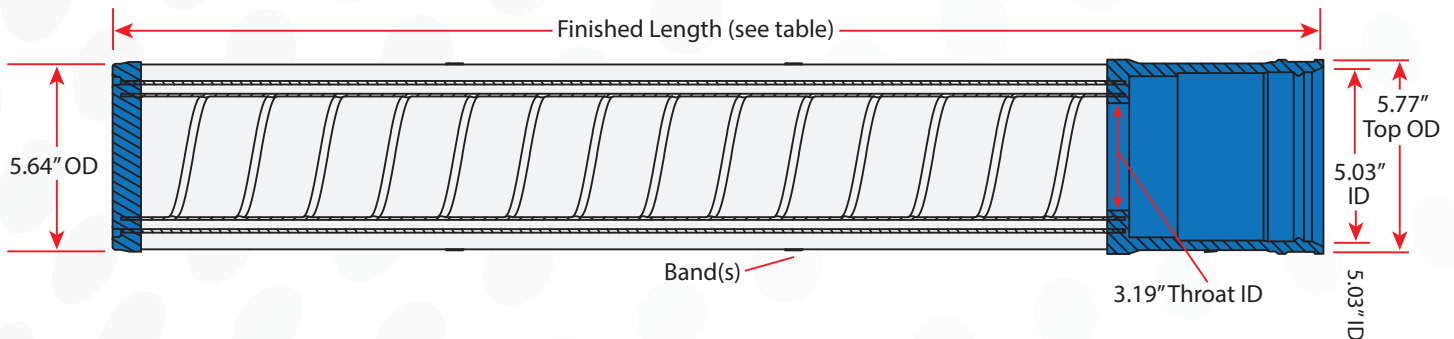


Media Options

- **SB** – Spun Bond Polyester
- **SBHO** – Hydro & oleo-phobic finish to repel water and oil
- **SBAL** – Aluminized finish for static dissipation
- **SBPTFE** – High-quality PTFE membrane bonded to surface
- **SBCBPTFE** – Carbon impregnated spun bond with PTFE membrane

Custom Construction Options

- Choice of finished length and pleat count
- Choice of cores: polypropylene or stainless steel, rolled or perforated
- Higher temperature construction to 265° F available
- Grounded design
- Riveted bands



Finished Length	Number of Bands	Media area 30 pleats	Media area 45 pleats	Media area 60 pleats
38 Inches	2	13.3 sq. ft.	19.9 sq. ft.	26.6 sq. ft.
45 Inches	3	16.2 sq. ft.	24.3 sq. ft.	32.4 sq. ft.
61 Inches	4	22.9 sq. ft.	34.3 sq. ft.	45.7 sq. ft.
84 Inches	6	32.4 sq. ft.	48.7 sq. ft.	64.9 sq. ft.

Dimensions and filter areas are shown for common configurations. Numerous finished length and pleat count variations are available. Contact AJR for more information.

Benefits of AJR-*PLEAT* pleated bags compared to traditional fabric bags

- One piece filter (plus clamp) cuts filter changing time in half – no separate bag cage to deal with
- Filters are washable and reusable in most cases
- Wide shallow pleats handle high dust loads
- Surface loading media releases desired powdered product in process applications
- Rugged and durable construction increases filter life for reduced maintenance requirements
- Collection efficiencies 10 X or higher vs. a traditional polyester bag
- Surface loading media operates at a lower pressure drop – saves energy
- Lower pulse pressures required for cleaning
- Materials of construction are tolerant of a wide range of process chemicals

AJR-*PLEAT* LBB Series fits bottom bag removal dust collectors from these manufacturers:

- Flex-Kleen (CECO)
- Camcorp
- Sly LLC
- Ultra Industries
- Cyclonaire
- Kirk & Blum
- Horizon
- Smoot
- Steelcraft
- Airtrol
- Wheelabrator
- IAC
- and More



Complete the installation of the LBB filter with a stainless-steel worm gear hose clamp (by others)